



## SMX SERIES

# SMX 800 TURBO

Ref : MX001T



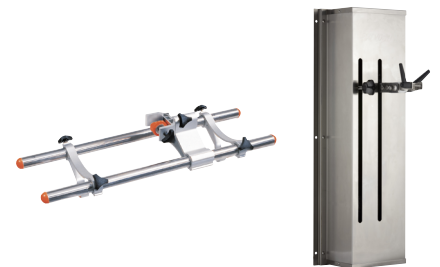
## DESCRIPTION

- Special huge volumes, collective kitchens and intensive use.
- The new cooling technology ensures longer life to the mixer.
- Detachable mixer tool that can be easily dismantled.
- All stainless steel mixer tool and handle support.
- Double insulation.
- Titanium-plated blade easy to remove.
- Easy manipulation into the pot thanks to its specific support bracket.
- The continuous function auto run button allows to mix continuously or pulse.

### ACCESSORIES



Included : Mixer hook support.



Supports brackets for your safety and your comfort.

## USE

The SMX 800 Turbo has been designed to work in containers holding up to 300 liters. It allows you to blend purees, mix and emulsify directly in the cooking pot.

Indispensable for the preparation of soups, salad dressings, gravy, sauces, mayonnaise, refried beans, batters, and many other products.

**Capacity : 75 to 300 L.**

## MAINTENANCE

Clean the outside of the tube and the blade protector by passing it under the faucet. Beware of splashing that could penetrate through the engine's ventilation slots and damage it.

**Never clean this machine with water jet spray or in the dishwasher.**

Wash the motor block with a sponge or with a slightly damp cloth.



### TECHNICAL DATA

OUTPUT MAX	1000 W
SPEED	11 000 R.P.M.
VOLTAGE	110-120 V or 220-240 V
TOTAL LENGTH	960 mm
SHAFT LENGTH	680 mm
DIAMETER	125 mm
ACTUAL WEIGHT	6,7 kg

[www.dynamicmixers.com](http://www.dynamicmixers.com)

Dynamic - 518 rue Léo Baekeland BP57 - 85290 Mortagne sur Sèvre

Tel : +33 (0)2 51 63 02 72 • E-mail : [export@dynamicmixers.com](mailto:export@dynamicmixers.com)

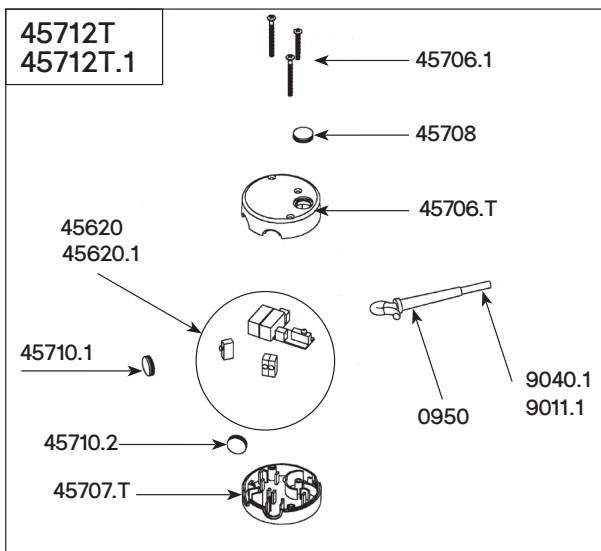
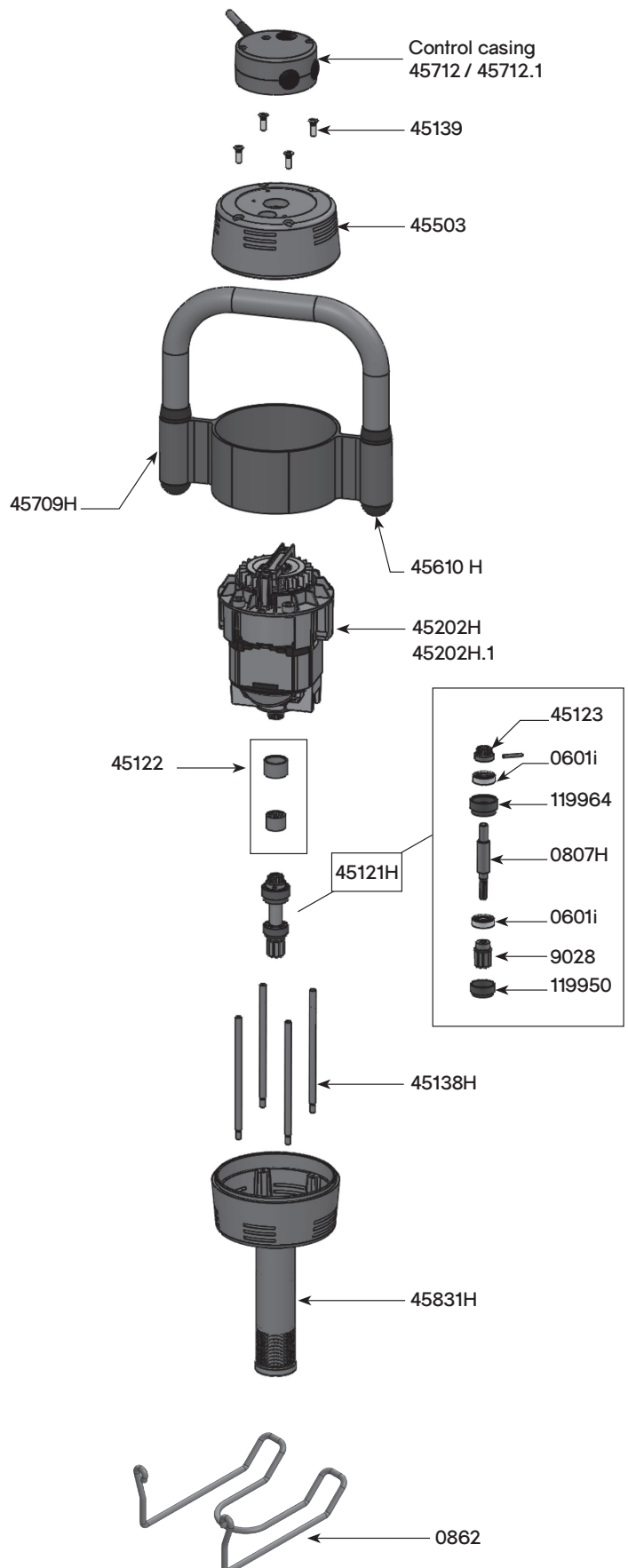
Follow us on social networks!

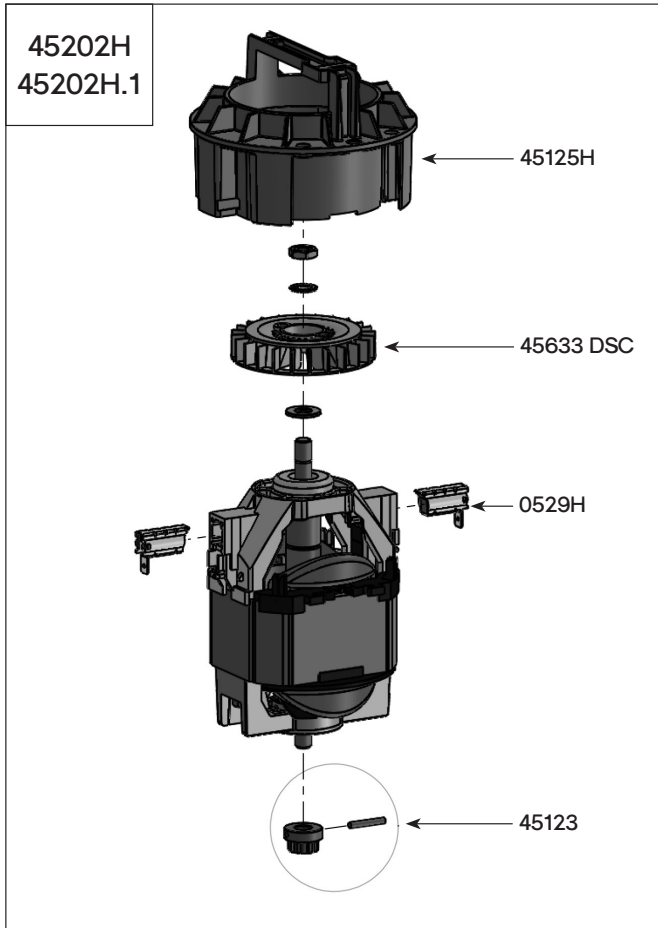


# TECHNICAL SHEET

Ref MX001T

Parts list	Code
MOTOR BRUSHES (PAIR)	0529H
BALL BEARING	0601i
EQUIPPED OUTPUT AXLE SMX TURBO	0807H
WALL BRACKET	0862
STRAIN RELIEF 220-240 V	0950
BALL BEARING RING	119950
BALL BEARING RING	119964
EXIT SHAFT	45121H
COUPLING SLEEVES	45122
COUPLER	45123
FAN HOUSING PLASTIC	45125H
SPACERS (4)	45138H
SPACERS SCREWS (4)	45139
EQUIPPED MOTOR SMX TURBO 1000W 220-240V	45202H
EQUIPPED MOTOR SMX TURBO 1000W 110-120V	45202H.1
TOP HOUSING	45503
HANDLE CAP (2)	45610H
MICRO SWITCH	45620
MICRO SWITCH	45620.1
FAN DSC	45633DSC
SCREW SET OF CONTROL CASE(3)	45706.1
TOP HOUSING ORANGE PLASTIC PIECE	45706.T
BOTTOM HOUSING ORANGE PLASTIC PIECE	45707.T
LOCK BUTTON	45708
SLEEVE & COMPLETE HANDLE & LABEL & CAP	45709H
SPEED 1 HANDLE CAP PROTECTOR	45710.1
SPEED 2 HANDLE CAP PROTECTOR	45710.2
COMPLETE CONTROL CASING 220-240V	45712.T
COMPLETE CONTROL CASING 110-120V	45712.T.1
LOWER HOUSING	45831H
POWER CORD (220-240V)	9011.1
ARMATURE COUPLER	9028
POWER CORD (110-120 V)	9040.1



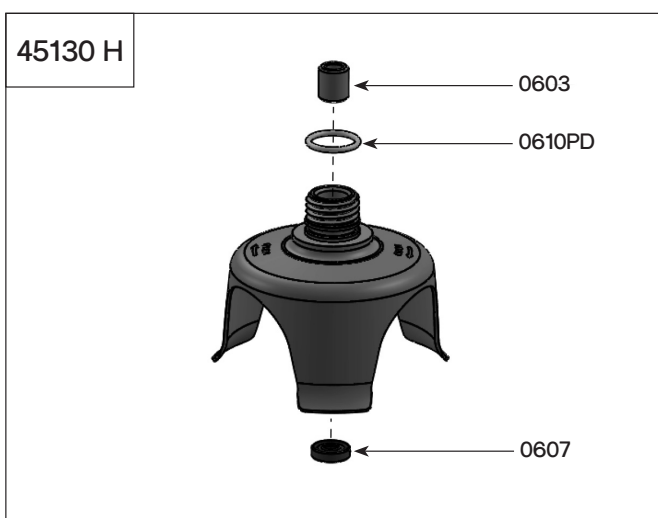


## SMX 800 TURBO Attachment - Ref AC076T (Complete Attachment)

Parts list	Code
BALL BEARING	0601i
SELF LUBRICATING RING	0603
WATERPROOF SEAL	0607
TORIC JOINT	0610PD
TORIC SEAL	0641
ANTI-FRICTION WASHER FOR SMX BELL	0838L
FRICTION WASHER FOR SMX ATTACHMENT	0838P
LOWER BEARING ASSEMBLY	45130H
CUTTER BLADE	45161
SHAFT	45324
TUBE	45325
MOTOR BEARING SLEEVE	7912
ARMATURE COUPLER	9028
COUPLING CAGE + PIN SMX TURBO	9051H

45325

45324



SM 4/6/8/10/12 MIXER SUPPORTS

Parts list	Code
Tightening knob	0701
Tightening knob	0707
White knob (x2)	0728
Plastic caps	45610
Plastic holder for tube	45900
SENIOR plastic holder for tube	45900.S
Orange half moon + screws + washer	45900.1
SENIOR orange half moon + screws + washer + block	45900.2
60 mm width bracket	45901
20 mm width bracket	45902
Exterior stop (x2)	45610.S

